

# Vision S Single - Information and Instruction Sheet

Our newly designed Vision S single monitor arm offers the ergonomic benefits of an assisted monitor arm but is much more affordable. Vision S can be installed at different heights to suit different environments with rotation and height adjustments being made by the individual users.

## Main features

1. Choice of silver, black or white.
2. Available as a single arm (fig. 01), double arm (fig. 02) and laptop support (fig.03).
3. Fixing kits include; C clamp, bolt through and 80mm grommet as standard.
4. Comes with quick release VESA with locking mechanism for added security (black).
5. Newly designed cable management clips to secure cables to the arm and pole sections.
6. Supports monitors up to 6kgs.



fig. 01

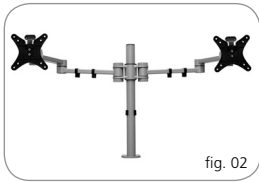


fig. 02

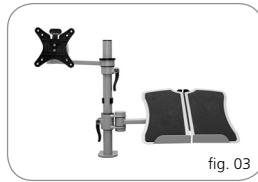


fig. 03

## Dimensions

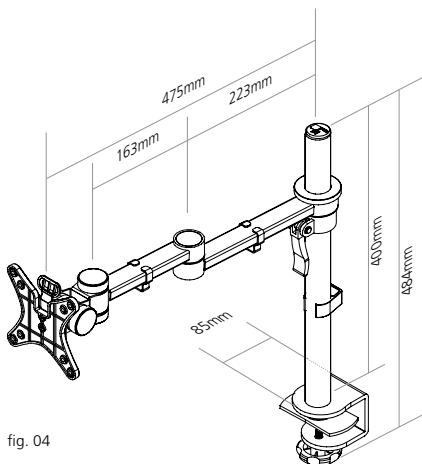
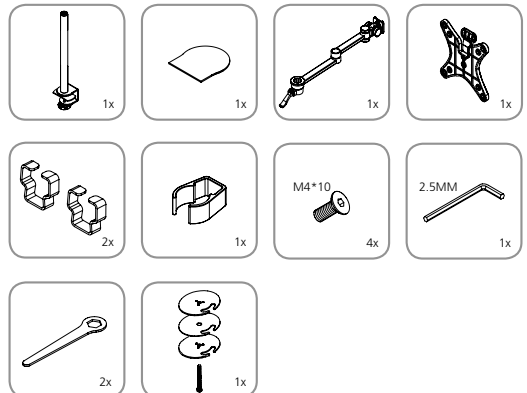


fig. 04

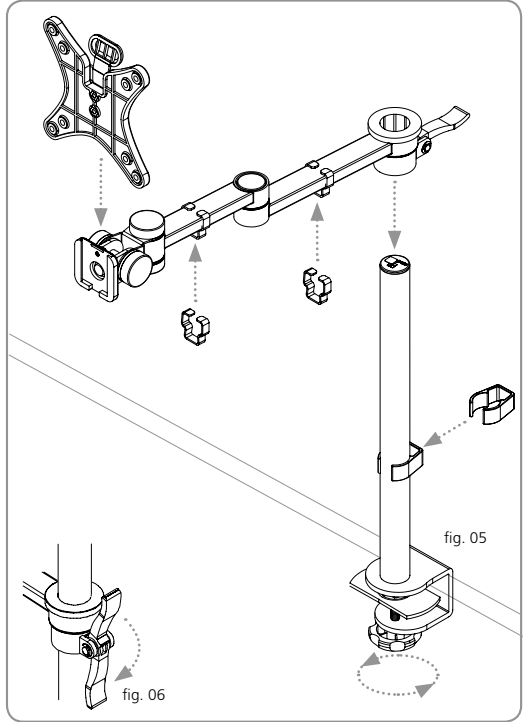
## Contents



# Vision S Single - Information and Instruction Sheet

## Fixing Instructions

1. The pole and C clamp are pre-assembled in the box. To install, the C clamp should be pushed tight against the edge of the desk and the hand screw should be tightened in a clockwise direction (fig. 05). An EVA pad is included in the fixing kit to improve grip and protect the desk surface.
2. The arm section can then be installed by lifting the lever before sliding the arm onto the pole to the desired height and pushing the lever down to secure into position (fig. 06).
3. The quick release VESA must be attached to the back of the monitor using the screws provided (fig. 07) before sliding into position on the arm. The grub screw, located at the back of the VESA, can then be tightened to secure the monitor into position.
4. The cable management clips should be installed to secure the power and data cables to the monitor arm (fig. 05).
5. The head assembly can be adjusted to support monitors of different weights (fig. 08).



### Attaching The Monitor

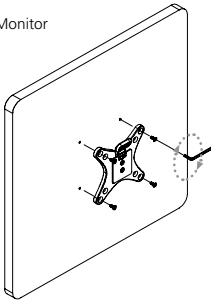
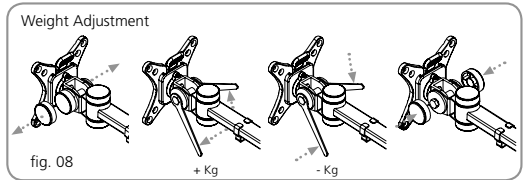


fig. 07



Note: If through desk fixing is required, the C clamp must be removed from the pole. To do this simply remove the three bolts from the underside of the C clamp. These should be retained and used to secure the on desk spreader plate to the bottom of the pole. The fixing kit includes an M10 bolt which can be used, along with an under desk spreader plate, to secure the pole through a 10mm hole or 80mm grommet hole. A pre-cut EVA pad is also included and should be positioned between the on desk spreader plate and the desk to protect the desk surface.

## Cleaning, Storage and Maintenance

Service Components	Available to order.
Cleaning & Maintenance	Dry cloth, no abrasives or solvents to be used on the product surface.
Handling & Storage	Do not drop.

## Warning

Do not exceed the recommended maximum weight.  
We recommend using the C clamp and through desk spreader pads to improve grip and protect the desk surface.